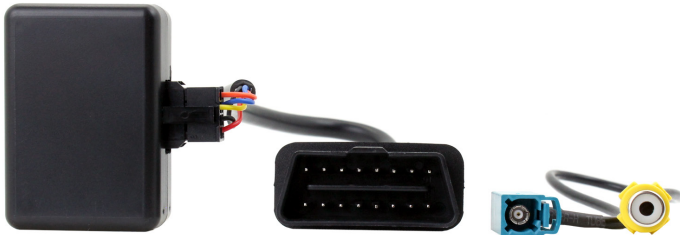




## **CAM-MB5-AD**

**Rear View Camera OBD-Coder**



### **Application:**

**Mercedes Benz C-Class (W204) 2007 - 2011,  
E-Class (W212) 2009 - 2011, CLS (C128) 2011>,  
GLK (X204) 2008>, SL 2010>**

**For Vehicles with Comand APS NTG4/NTG4-212,  
Comand Online NTG 4.5 Head Units**

***www.connects2.com***



## **CAM-MB5-AD**

Rear View Camera OBD-Coder for Mercedes vehicles with COMAND NTG4, COMAND NTG4-212, COMAND NTG4.5. OBD dongle for rear camera activation - allows the addition of an aftermarket rear camera to the OEM screen.

### **Prior to Installation**

Read the manual prior to installation. Technical knowledge is necessary for installation. The place of installation must be free of moisture and away from heat sources. Please ensure you use the correct tools to avoid damage to the vehicle or product.

***Connects2 can not be held responsible for the installation of this product.***

### **Technical Support**

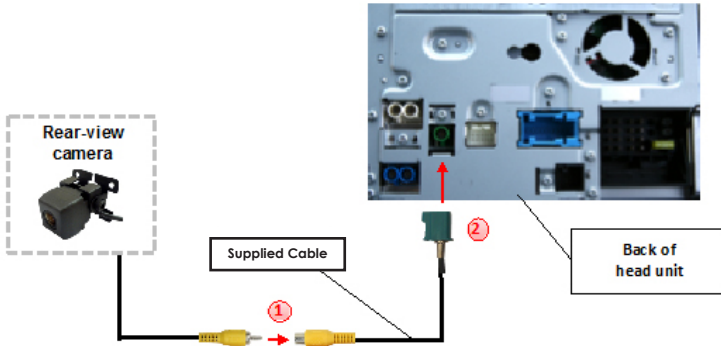
Connects2 want to provide a fast and suitable resolution should you encounter any technical issues. With this in mind, when contacting Connects2, try to provide as much Information as possible. This will speed up the process and help us to help you.

**Please use our dedicated online technical support centre: [support.connects2.com](http://support.connects2.com)**



Subscribe to our YouTube Channel for installation guides and tips... [www.youtube.com/connects2](http://www.youtube.com/connects2)

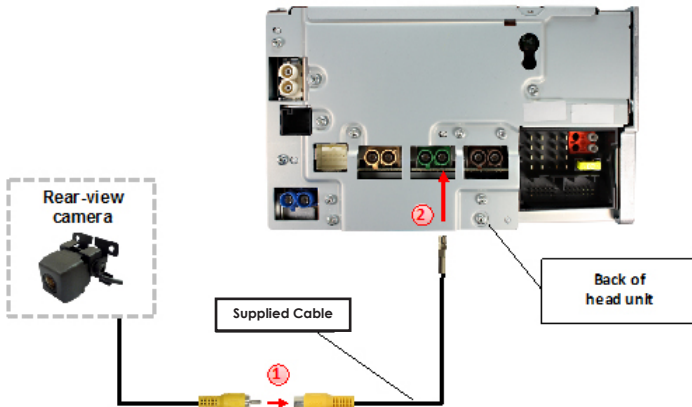
### Installation for COMAND NTG4



1. Connect the video RCA of the after-market rear-view camera to the female RCA connector of the supplied cable.

2. Connect the Fakra plug of the supplied cable to the green Fakra socket of the COMAND NTG4 unit.

### Installation for COMAND NTG4-212, COMAND NTG4.5



1. Connect the video RCA of the after-market rear-view camera to the female RCA connector of the supplied cable.

2. Connect the Fakra plug of the supplied cable to the green Fakra socket of the COMAND NTG4.5 unit.



## Camera Coding

1. Locate OBD-port and remove cover
2. Turn on ignition
3. Wait until the head-unit has booted up
4. Plug coder into OBD-port
5. Leave coder in the OBD-port for around 30 seconds
6. Remove coder from the OBD-port

To reverse the coding repeat steps 1-6

After the first use on a vehicle, the coder is personalised to this vehicle and can be used unlimited times for coding or reverse coding on this vehicle.

## LED Information

LED	Status	Explanation
Green	Lights	Coding procedure successfully completed
Green	Flashes	Coding process is running
Red	Lights	Remove coding procedure successfully completed
Red	Flashes	Coding process failed/licence violation
Green + Red	Lights	CAN Communication Error - Abort of the diagnostic session